



AVK SUPA LOCK™ STRAIGHT PUSH-IN FITTING, PN 16

107/21

For PE pipes, Supa Lock™ spigot end/push-in socket end

003



AVK Supa Lock™ is a patented service connection system consisting of valves, tapping saddles and fittings with an easy two-step assembly without threads or use of tools. Supa Lock™ features a corrosion protected push-in and quick-lock joint secured by a safety retainer which prevents demounting under pressure. The fitting has one Supa Lock™ spigot end and one push-in socket end.

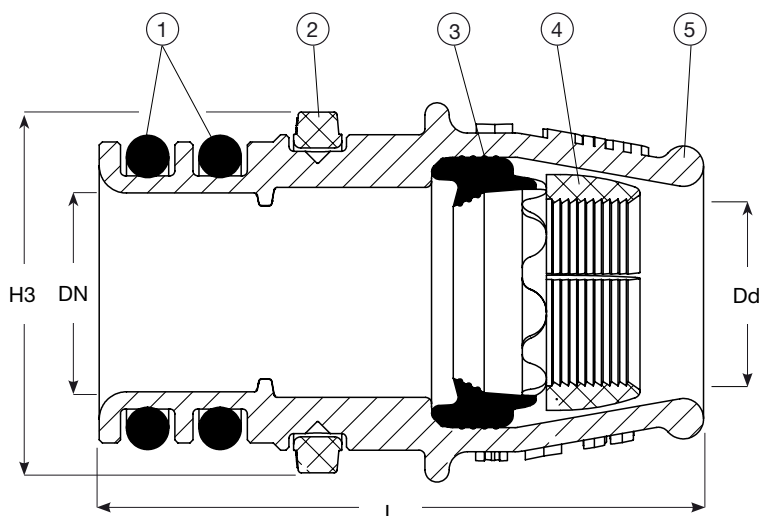
Product Description:

Supa Lock™ straight fitting with push-in socket for PE pipes for water and neutral liquids to max. 70° C

Features:

- Fully coated with epoxy according to DIN 30677-2, GSK approved
- Easy two-step assembly by pushing the Supa Lock™ spigot end into the Supa Lock™ socket end and clicking on the safety retainer
- The safety retainer is easy to mount and demount, and as extra safety the patented Supa Lock™ joint prevents demounting when the system is under pressure
- The Supa Lock™ joint is sealed by two large O-rings of drinking water approved EPDM rubber
- Full Ø32 bore for standard drill bit sizes
- The socket end is fitted with a hydraulic lip seal gasket of drinking water approved EPDM rubber and a POM tension ring providing tensile resistance





Component List:

1. O-rings	EPDM rubber	2. Safety retainer	POM
3. Sealing ring	EPDM rubber	4. Tension ring	POM
5. Body	Ductile iron, GJS-500 (GGG-50)		

Components may be substituted with equivalent or higher class materials without prior notification.

Reference Nos. and Dimensions:

AVK ref. nos	DN mm	Dd mm	L mm	H3 mm	Theoretic. weight kg
107-032-21-32464	32	32	100	67	0.6
107-040-21-32464	32	40	120	68	0.7
107-050-21-32464	32	50	157	76	1.2
107-063-21-32464	32	63	173	91	1.6