



## AVK AIR & VACUUM VALVE, PN16

701/30-010

For water, ductile iron, DN50-80 and 150



AVK air vacuum valves are designed to discharge air during the filling or charging of the system and to admit air into the system during system drainage, valve or pump shut-off or at water column separation. We also offer a range of air release valves and combination air valves combining the functions of an air release valve and an air vacuum valve.



### Product description:

Air & vacuum valve - Inlet flange for water and neutral liquids to max. 60°C (temporarily up to 90°C)

### Standards:

- Designed according to EN 1074-4
- Standard flange drilling to EN1092-2 (ISO 7005-2), PN 16

### Test/Approvals:

- Hydraulic test according to EN 1074-1 and 4 / EN 12266
- Approved according to DIN-DVGW Certificate NW-6215BS5030



### Accessories:

Gate valve, butterfly valve, combi-flange, flange adaptor



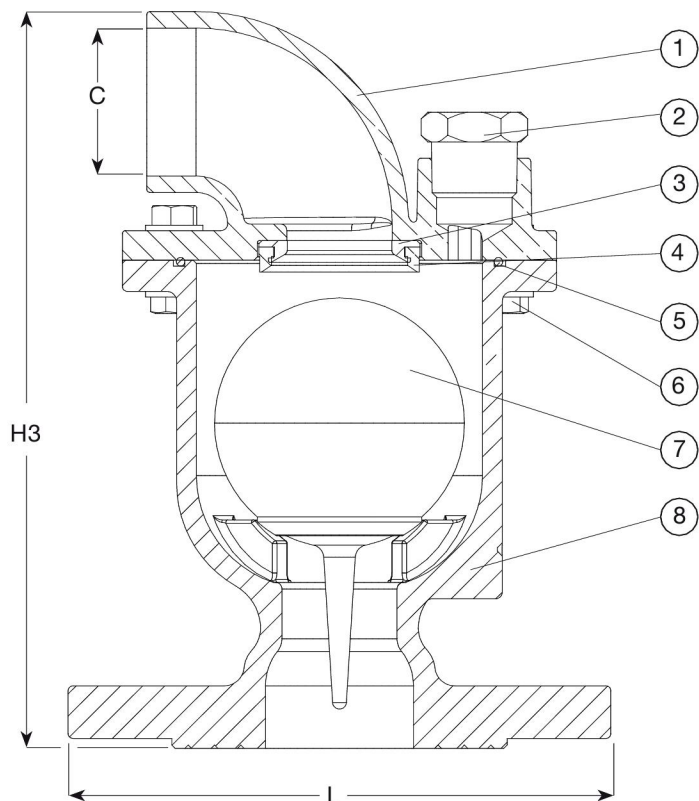
Expect ... **AVK**

The designs, materials and specifications shown are subject to change without notice due to the continuous development of our product range.

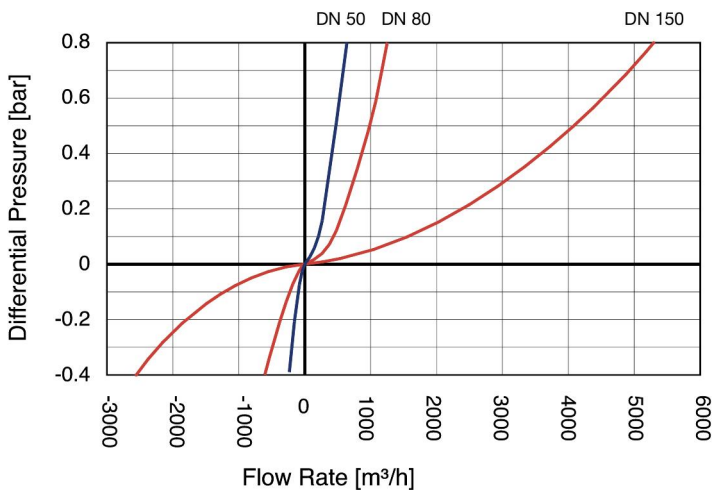
# AVK AIR & VACUUM VALVE, PN16

701/30-010

For water, ductile iron, DN50-80 and 150



## AIR & VACUUM FLOW RATE



### Component list:

1. Cover	Ductile iron	5. O-ring	NBR rubber
2. Plug	Brass	6. Bolt/nut	Steel, zinc plated
3. Orifice seat	Bronze	7. Float	Polycarbonate
4. Orifice seal	EPDM rubber	8. Body	Ductile iron

Components may be substituted with equivalent or higher class materials without prior notification.

### Reference nos. and dimensions:

AVK ref. no.	DN mm	Connection	Product PN Class	L mm	H3 mm	C mm	Theoretical weight / kg
701-050-30-11003	50	50 MM	PN16	149	229	½" BSP	6.1
701-051-30-91003	50	2" BSP	PN16	149	217	½" BSP	4.0
701-080-30-11003	80	80 MM	PN16	160	264	2" BSP	13
701-081-30-91003	80	3" BSP	PN16	160	266	2" BSP	9.6
701-150-30-11003	150	150MM	PN16	400	334	90 MM	43