



AVK AUTOMATIC AIR VALVE, PN16

701/20-010

For water, cast iron, DN20-32



AVK automatic air valves are designed with a very soft and sensitive seal. It enables effective discharge of accumulated air from the system while it is under pressure. The automatic air release valve are lightweight and compact with a 12mm² orifice enabling a release of air at high flow rates not being exposed to obstruction by debris. All operating parts are made of specially selected corrosion-resistant materials.



Product description:

Automatic air valve for water and neutral liquids to max. 60°C (temporarily up to 90°C)

Standards:

- Designed according to BS5163 Type B, Designed according to EN 1074-4

Test/Approvals:

- Hydraulic test according to EN 1074-1 and 4 / EN 12266
- Approved according to DIN-DVGW Certificate NW-6215BS5030



Features:

- Orifice size: 12 mm²
- The enlarged orifice is less exposed to obstruction by debris
- The orifice in the automatic valve releases large volumes of air at high flow rates when the line is under pressure
- The valve's rolling seal mechanism design is less sensitive to different pressures than a direct float seal, thus enabling a one size orifice for a wide pressure range (from 0.05 up to 6 bar)
- Body of high-strength composite material with protective shell of ductile iron
- All operating parts of corrosion-resistant materials
- Very low weight
- A discharge outlet enables removal of excess fluids
- With BSP thread connection
- Working pressure range: 0.05 – 16 bar

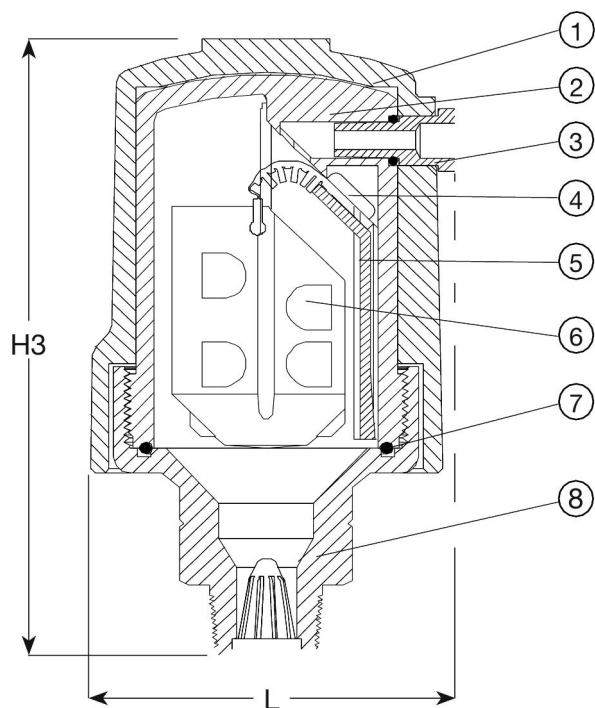
Accessories:

Gate valve, butterfly valve



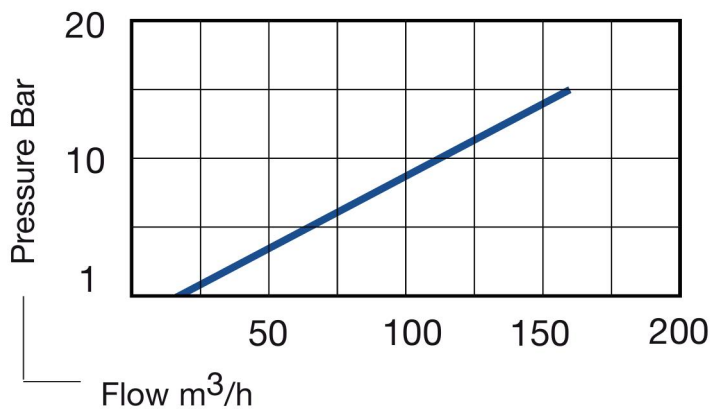
Expect ... **AVK**

The designs, materials and specifications shown are subject to change without notice due to the continuous development of our product range.



Air discharge

Outflow



Component list:

1. Shell	Ductile iron	5. Clamping key	PA, reinforced
2. Body	PA, reinforced	6. Float	Foamed PP
3. Threaded outlet	Brass	7. O-ring	NBR rubber
4. Rolling seal	EPDM rubber	8. Base	Brass

Components may be substituted with equivalent or higher class materials without prior notification.

Reference nos. and dimensions:

AVK ref. no.	DN	Connection	Product	L	H3	Theoretical weight / kg
	mm		PN Class	mm	mm	
701-020-20-91003	20	1/2" BSP	PN16	85	148	3.5
701-025-20-91003	25	3/4" BSP	PN16	85	148	3.5
701-032-20-91003	32	1" BSP	PN16	85	148	3.5