



AVK SUPA PLUS™ FLANGE ADAPTOR, PN10/16

Tensile, for PE and PVC pipes, incl. flange gasket, DN40-300

623/10-004

AVK Supa Plus™ is a range of tensile couplings, flange adaptors and end caps dedicated for PE and uPVC pipes. Supa Plus™ couplings offer a great flexibility and are very easy to mount due to the combined compression gasket which enables $\pm 3.5^\circ$ angular deflection and makes it easy to insert the pipe ends even in the large dimensions. The external M16 bolts of anti-friction coated stainless steel and the high quality coating offer a durable corrosion protection.

Product description:

Supa Plus™ flange adaptor tensile for PE/uPVC pipes - Bolts A2/Nuts A4 for drinking water and neutral liquids to max. 70°C

Standards:

- Designed according to EN 12842, Designed according to AS4020, Designed according to 4158, Designed according to AS4130
- Standard flange drilling to EN1092-2 (ISO 7005-2), PN 10/16

Test/Approvals:

- Approved according to ACS-France

Features:

- The combined gasket of drinking water approved EPDM rubber with tensile grip segments of RG5 bronze enables $\pm 3.5^\circ$ angular deflection
- The design with external bolts prevents corrosion between sleeve and bolts
- The M16 bolts of stainless steel A2 and the nuts of acid-resistant stainless steel A4 are anti-friction coated to offer easy tightening and to prevent galling
- The bolt ends are protected with plastic caps
- The compression type gasket makes it easy to insert the pipe end, even in large dimensions
- Sleeve and bracket of ductile iron with fusion bonded epoxy coating in compliance with DIN 3476 part 1 and EN 14901

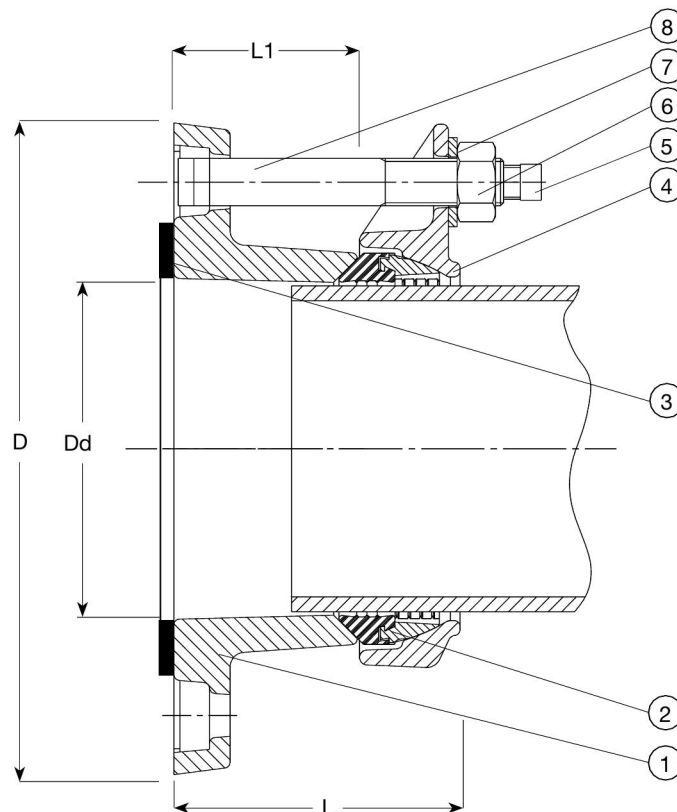


Expect ... **AVR**

The designs, materials and specifications shown are subject to change without notice due to the continuous development of our product range.

AVK SUPA PLUS™ FLANGE ADAPTOR, PN10/16
Tensile, for PE and PVC pipes, incl. flange gasket, DN40-300

623/10-004



Component list:

1. Adaptor flange	Ductile iron GJS-500-7 (GGG-50)	5. Cap	Plastic
2. Combined gasket	Bronze RG5 / EPDM	6. Nut	Stainless steel A4
3. Flange gasket	EPDM rubber	7. Washer	Stainless steel A2
4. Bracket	Ductile iron GJS-500-7 (GGG-50)	8. Square bolt	Stainless steel A2

Components may be substituted with equivalent or higher class materials without prior notification.

Reference nos. and dimensions:

AVK ref. no.	DN	Dd	Flange	D	L	L1	Theoretical weight / kg
	mm	mm	drilling	mm	mm	mm	
623-10-040-6141001 (1)	40	40	PN10/16	146	122	62	6.3
623-10-050-6141001 (1)	40	50	PN10/16	146	122	62	3.7
623-10-063-6141001 (1)	50	63	PN10/16	175	123	63	4.0
623-10-075-6141001 (1)	65	75	PN10/16	180	123	63	4.3
623-10-090-6141001 (1)	80	90	PN10/16	195	122	62	4.7
623-10-110-6141001 (1)	100	110	PN10/16	215	123	63	6.0
623-10-125-6141001 (1)	125	125	PN10/16	245	125	63	7.8
623-10-125-6241001 (1)	100	125	PN10/16	240	125	63	6.8
623-10-140-6141001 (1)	125	140	PN10/16	245	125	63	8.9
623-10-160-6141001 (1)	160	160	PN16	285	125	63	8.3
623-10-180-6141001	150	180	PN10/16	285	125	63	10
623-10-200-6041001	200	200	PN10	335	126	64	13
623-10-200-6141001	200	200	PN16	335	126	64	14
623-10-225-6041001	200	225	PN10	337	141	64	15
623-10-225-6141001	200	225	PN16	337	141	64	15
623-10-250-6141001 (1)	250	250	PN10/16	400	179	88	21
623-10-250-6241001 (1)	200	250	PN10/16	405	179	88	25
623-10-280-6041001	250	280	PN10	405	175	88	25
623-10-280-6141001	250	280	PN16	403	179	88	25
623-10-315-6141001	300	315	PN10/16	458	179	88	26
623-10-315-6241001 (1)	250	315	PN10/16	460	179	88	29

(1) 10/16 = Universal drilling

The designs, materials and specifications shown are subject to change without notice due to the continuous development of our product range.