



## AVK UNIVERSAL SUPA® FLANGE ADAPTOR

603/A

A2 bolt/A4 nut deltaseal, NF approved EPDM sealing

6400

AVK Supa® is a range of universal straight couplings, step couplings and flange adaptors for cast iron, ductile iron, steel, uPVC and asbestos cement pipes. Supa® couplings are easy to mount due to the anti-friction coated bolts and nuts and the possibility of up to  $\pm 4^\circ$  angular deflection. The stainless steel bolts and nuts and the high quality coating offer a durable corrosion protection.

### Product Description:

Supa® adaptor - Bolts A2/Nuts A4 for drinking water and neutral liquids to max. 70°C

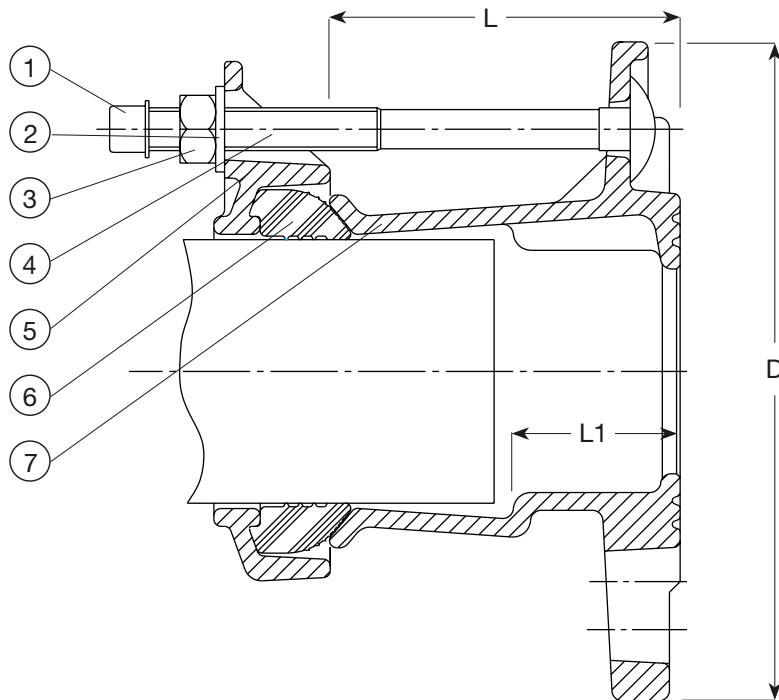
### Standards:

- Universal flange drilling to EN1092 (ISO 7005-2), PN 10/16

### Features:

- $\pm 4^\circ$  angular deflection
- Drinking water approved EPDM gasket
- The design with external bolts prevents corrosion between sleeve and bolts
- The bolts of stainless steel A2 and the nuts of acid-resistant stainless steel A4 are anti-friction coated to offer easy tightening and to prevent galling
- The bolt ends are protected with plastic caps
- The moulded ribs in the gasket absorb minor imperfections in the pipe
- Ductile iron with epoxy coating according to DIN 30677-2 and AVK guidelines





Flange DN	Drilling
40/50 - 80	ISO 7005-2, ANSI B16 CL 125, BS 10 Table A, D and E
80/100 - 125/150	ISO 7005-2, ANSI B16 CL 125, BS 10 Table A, D, E, F and H
150 - 200	ISO 7005-2, ANSI B16 CL 125 and BS 10 Table E
250	ISO 7005-2 and ANSI B16 CL 125
300	ISO 7005-2, ANSI B16 CL 125 and BS 10 Table E
350	ISO 7005-2 and BS 10 Table A
400	ISO 7005-2 and ANSI B16 CL 125

**Component List:**

1. Protection cap	Plastic	2. Washer	Zinc plated hardened steel
3. Nut	Acid-resistant stainless steel A4	4. Bolt	Stainless steel A2
5. Gland ring	Ductile iron GJS-400-12 (GGG-40)	6. Gasket	EPDM rubber
7. Flange	Ductile iron GJS-400-12 (GGG-40)		

Components may be substituted with equivalent or higher class materials without prior notification.

**Reference Nos. and Dimensions:**

AVK ref. nos	DN mm	L mm	L1 mm	Pipe cover range mm	Theoretic. weight kg
603-063-000-6400	40/50	99	47	46 - 63	3.8
603-074-000-6400	50	99	47	57 - 74	3.9
603-074-001-6400	50/65	99	47	57 - 74	4.1
603-085-000-6400	50/65	99	47	68 - 85	4.2
603-106-000-6400	80	100	47	84 - 106	5.0
603-106-001-6400	80/100	100	47	84 - 106	5.3
603-119-000-6400	100	100	47	99 - 119	5.6
603-133-000-6400	100	101	47	109 - 133	5.8
603-133-001-6400	100/125	101	47	109 - 133	8.7
603-157-000-6400	125/150	116	53	132 - 157	8.3
603-183-000-6400	150	109	52	157 - 183	9.3
603-201-000-6400	150	112	52	176 - 201	10
603-215-000-6400	200	117	53	193 - 215	12
603-242-000-6400	200	117	53	218 - 242	12
603-268-000-6400	250	119	58	242 - 268	20
603-292-000-6400	250	119	58	266 - 292	19
603-306-000-6400	250	119	58	280 - 306	19
603-327-000-6400	300	120	61	301 - 327	22
603-350-000-6400	300	120	61	324 - 350	24

The designs, materials and specifications shown are subject to change without notice. This is due to the continuous development of our product programme.

AVK ref. nos	DN mm	L mm	L1 mm	Pipe cover range mm	Theoretic. weight kg
603-378-000-6400	350	120	61	352 - 378	28
603-396-000-6400	350	161	62	372 - 396	30
603-410-000-6400	350	161	62	384 - 410	34
603-436-000-6400	400	165	67	410 - 436	35
603-462-000-6400	400	165	67	436 - 462	42