



AVK LEVER AND WEIGHT KIT FOR SWING CHECK VALVES

41/D

001



AVK swing check valves with lever and weight are appropriate for installations with an increased risk of water hammer at standard flow velocities. The solution enables visual check. Valves in small dimensions also offer the possibility of priming by moving the lever manually. The weight is adjustable on the lever to achieve a careful closing against the seat as well as an optimum closing speed to prevent water hammer. The lever and weight are of ductile iron with blue epoxy coating.

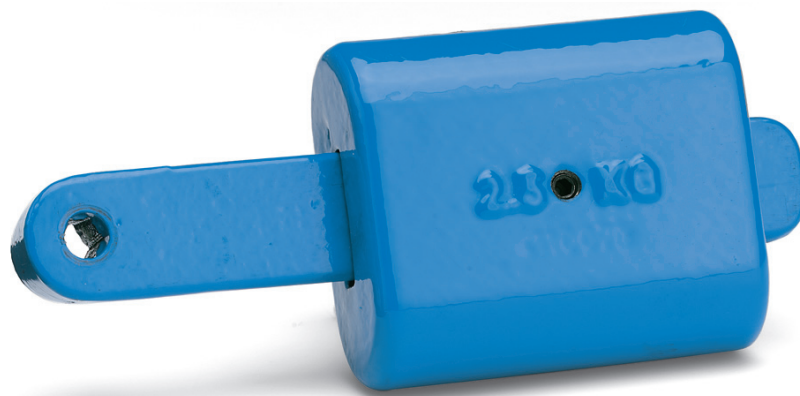


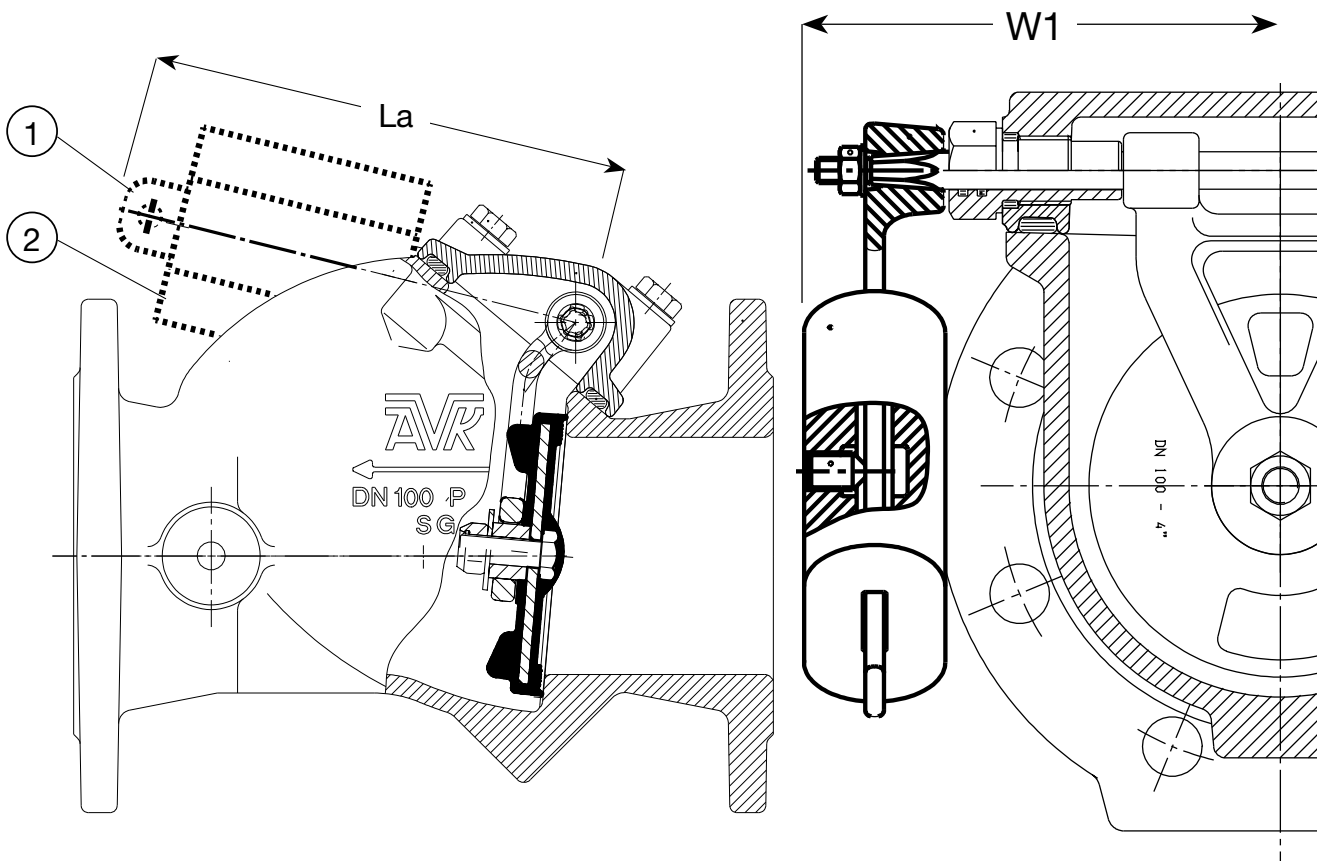
Product Description:

Swing check valve lever and weight kit

Standards:

- Designed according to DIN/EN





Component List:

1. Lever	Ductile iron	2. Weight	Ductile iron
----------	--------------	-----------	--------------

Components may be substituted with equivalent or higher class materials without prior notification.

Reference Nos. and Dimensions:

AVK ref. nos	DN/DN mm	La mm	W1 mm	Theoretical weight kg
41-080-23-000	50 - 80	150	148	2.5
41-100-23-000	100 - 100	185	158	3.5
41-150-23-000	125 - 150	230	200	5.2
41-200-23-000	200 - 200	280	230	13
41-300-23-000	250 - 300	525	405	13

For further details see section "Technical Information".
The designs, materials and specifications shown are subject to change without notice due to the continuous development of our product programme.