



AVK GATE VALVE, SHORT SPIGOT ENDS, PN16

32/70-003

For cast iron pipes to ISO 2531, DN50-300

AVK gate valves are designed with built-in safety in every detail. The wedge is fully vulcanized with AVK's own drinking water approved EPDM rubber compound. It features an outstanding durability due to the ability of the rubber to regain its original shape, the double bonding vulcanization process and the sturdy wedge design. The triple safety stem sealing system, the high strength stem and the thorough corrosion protection safeguard the unmatched reliability.

Product description:

Gate valve with short spigot ends for cast iron pipes to ISO 2531. For drinking water and neutral liquids to max. 70°C

Standards:

- Designed according to EN 1074 part 1 & 2, Designed according to EN 1171

Test/Approvals:

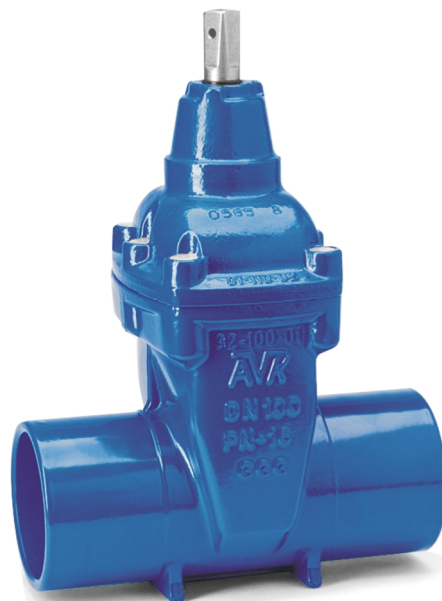
- Hydraulic test according to EN 1074-1 and 2 / EN 12266
- Seat: 1.1 x PN (in bar), Body: 1.5 x PN (in bar). Operation torque test
- Approved for drinking water

Features:

- Fixed integral wedge nut prevents vibration and ensures durability
- Wedge fully vulcanized with drinking water approved EPDM rubber and equipped with wedge shoes to provide smooth operation
- Large conical stem hole in the wedge prevents stagnant water
- Wedge and body guide rails ensure stable operation
- Stainless steel stem with wedge stop and rolled threads for high strength
- Full circle thrust collar provides fixation of the stem and low free running torques
- Triple safety stem sealing with an NBR wiper ring, a polyamide bearing with four NBR O-rings and an EPDM rubber manchette
- Round EPDM bonnet gasket fixed in a recess
- Countersunk and sealed bonnet bolts encircled by the bonnet gasket
- Full bore
- Low operating torque
- Fusion bonded epoxy coating to DIN 30677-2, GSK approved

Accessories:

Stem cap, handwheel, extension spindle, street cover, combi-flange and coupling

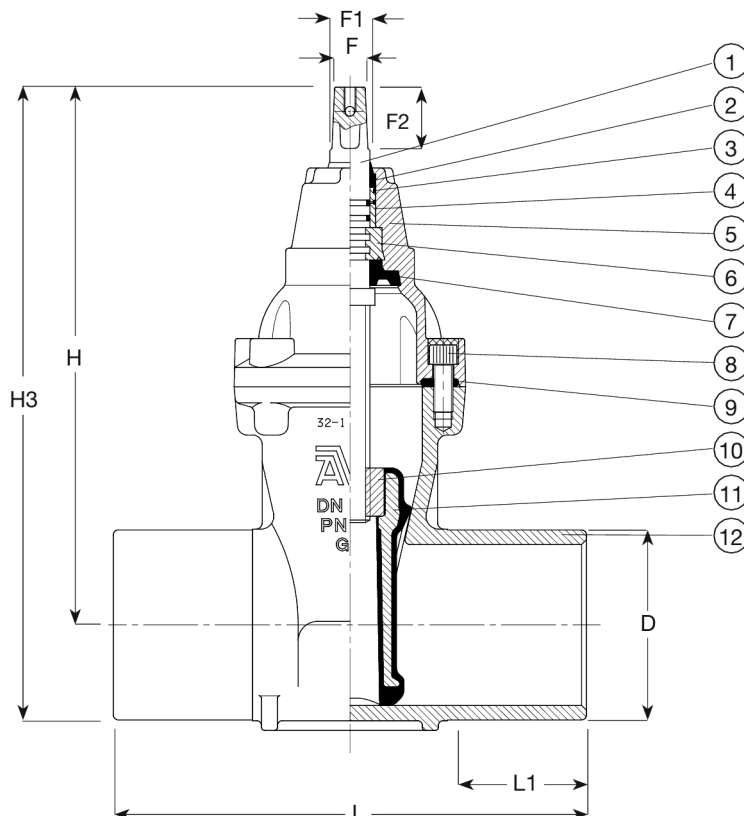


Expect ... **AVR**

AVK GATE VALVE, SHORT SPIGOT ENDS, PN16

32/70-003

For cast iron pipes to ISO 2531, DN50-300



Component list:

1. Stem	Stainless steel 1.4104 (430F)	7. Manchette	EPDM rubber
2. Wiper ring	NBR rubber	8. Bonnet bolt	Stainless steel A2, sealed with hot melt
3. O-ring	NBR rubber	9. Bonnet gasket	EPDM rubber
4. Bearing	Polyamide	10. Wedge nut	Brass, DZR CW626N
5. Bonnet	Ductile iron GJS-500-7 (GGG-50)	11. Wedge	Ductile iron, EPDM encapsulated
6. Thrust collar	Brass, DZR CW602N	12. Body	Ductile iron GJS-500-7 (GGG-50)

Components may be substituted with equivalent or higher class materials without prior notification.

Reference nos. and dimensions:

AVK ref. no.	DN mm	D mm	Product PN Class	H mm	H3 mm	L mm	L1 mm	F mm	F1 mm	F2 mm	Theoretical weight / kg
32-050-70-016	50	66	PN16	241	274	244	72	14	17	29	7.6
32-060-70-016	60	77	PN16	271	312	254	73	17	20	34	8.7
32-065-70-016	65	82	PN16	271	346	264	81	17	20	34	11
32-080-70-016	80	98	PN16	297	393	280	85	17	20	34	12
32-100-70-016	100	118	PN16	334	393	300	86	19	22	38	17
32-125-70-016	125	144	PN16	375	437	319	87	19	22	38	32
32-150-70-016	150	170	PN16	448	533	350	96	19	22	38	45
32-200-70-016	200	222	PN16	562	673	400	110	24	28	42	56
32-250-70-016	250	274	PN16	664	801	450	131	27	31	47	110
32-300-70-016	300	326	PN16	740	914	500	129	27	31	47	186