



AVK SERVICE CONNECTION ANGLE VALVE, DI, PN16

11/00-010

Internal thread/external thread, DN25-50



AVK resilient seated service connection valves are designed with built-in safety in every detail. The wedge is vulcanized with AVK's own drinking water approved EPDM rubber compound. It features an outstanding durability due to the ability of the rubber to regain its original shape, the double bonding vulcanization process and the sturdy wedge design. The triple safety stem sealing system, the high strength stem and the thorough corrosion protection safeguard the unmatched reliability.



Product description:

Angle service connection valve with external/internal thread. For drinking water and neutral liquids to max. 70°C

Standards:

- Designed according to EN 1074 part 1 & 2, Designed according to EN 1171

Test/Approvals:

- Hydraulic test according to EN 1074-1 and 2 / EN 12266
- Seat: 1.1 x PN (in bar), Body: 1.5 x PN (in bar). Operation torque test
- Belgaqua approved material
- Approved according to Swedish type approval 1350 certified by KIWA



Features:

- Wedge of low-lead brass CW626N vulcanized with drinking water approved EPDM rubber and shaped with guides and a special rubber profile ensuring low closing torques
- Stainless steel stem with rolled threads providing high strength
- Full circle thrust collar provides fixation of the stem and low free running torques
- Triple safety stem sealing with an NBR wiper ring, a polyamide bearing with four NBR O-rings and an EPDM rubber manchette
- EPDM bonnet gasket fixed in a recess
- Countersunk and sealed stainless steel bonnet bolts encircled by the bonnet gasket
- Full bore
- Low operating torque
- Fusion bonded epoxy coating in compliance with DIN 3476 part 1 and EN 14901

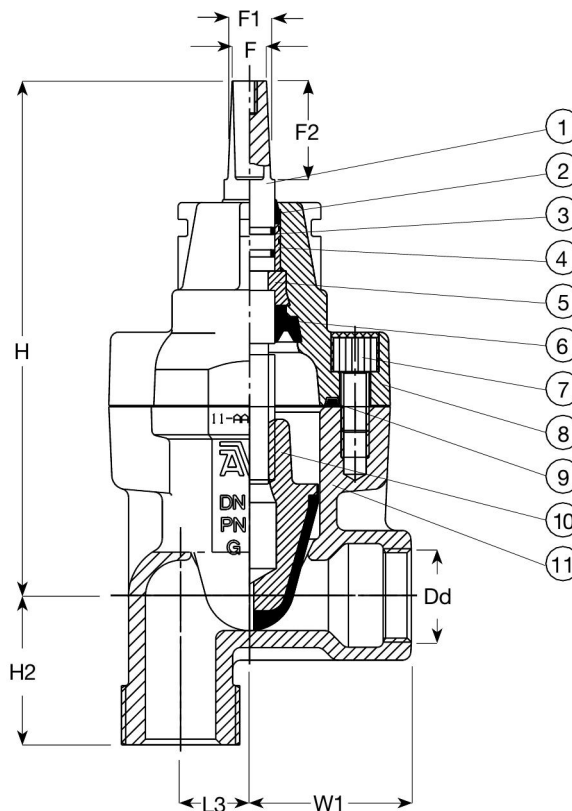
Accessories:

Handwheel, stem cap, extension spindle, street cover and tapping saddle.



Expect ... **AVR**

The designs, materials and specifications shown are subject to change without notice due to the continuous development of our product range.



Component list:

1. Stem	Stainless steel 1.4104 (430F)	7. Bonnet bolt	Stainless steel A2, sealed with hot melt
2. Wiper ring	NBR rubber	8. Bonnet	Ductile iron GJS-400-15 (GGG-40)
3. O-ring	NBR rubber	9. Bonnet gasket	EPDM rubber
4. Bearing	Polyamide	10. Wedge	Brass, DZR CW626N with EPDM
5. Thrust collar	Brass, DZR CW602N	11. Body	Ductile iron GJS-400-15 (GGG-40)
6. Manchette	EPDM rubber		

Components may be substituted with equivalent or higher class materials without prior notification.

Reference nos. and dimensions:

AVK ref. no.	DN	Dd	Product	L3	H	H2	W1	F	F1	F2	Theoretical weight / kg
	mm	mm	PN Class	mm	mm	mm	mm	mm	mm	mm	
11-032-00-0046499 ⁽¹⁾	25	32	PN16	35	163	53	58	12	15	35	2.3
11-033-00-0046499 ⁽²⁾	25	32	PN16	35	163	53	58	12	15	35	2.3
11-035-00-0046499 ⁽³⁾	25	32	PN16	35	163	53	58	12	15	35	2.3
11-040-00-0046499 ⁽⁴⁾	32	40	PN16	53	176	64	65	12	15	35	2.9
11-041-00-0046499 ⁽⁵⁾	32	40	PN16	43	176	64	65	12	15	35	2.9
11-042-00-0046499 ⁽⁶⁾	32	40	PN16	53	176	64	65	12	15	35	2.9
11-050-00-006 ⁽⁷⁾	40	50	PN16	35	203	71	75	12	15	35	4.9
11-063-00-006 ⁽⁸⁾	50	63	PN16	40	213	80	90	12	15	35	5.6

- (1) Internal BSP 1", External BSP 1 1/4". Approval pending
- (2) Internal BSP 1", External BSP 1 1/2". Approval pending
- (3) Internal BSP 1", External BSP 2". Approval pending
- (4) Internal BSP 1 1/4", External BSP 2". Approval pending
- (5) Internal BSP 1 1/4", External BSP 1 1/4". Approval pending
- (6) Internal BSP 1 1/4", External BSP 1 1/2". Approval pending
- (7) Internal BSP: 1 1/2", External BSP: 2"
- (8) Internal BSP: 2", External BSP: 2"