



AVK COMBI-FLANGE FOR PE AND PVC PIPES, PN 10/16

05/60-001

Tensile, EPDM sealing, DN50-300



AVK's combi-flange system comprises tensile combi-flanges for PE, PVC and ductile iron pipes as well as non-tensile combi-flanges for PVC, steel and ductile iron pipes. The design features a flexible positioning and chamfering of the pipe and a big angular deflection. The EPDM rubber sealings are approved for drinking water applications and the flanges are fusion bonded epoxy coating in compliance with DIN 3476 part 1 and EN 14901.



Product description:

Combi-flange tensile unit for PE/PVC and Bi-PVC pipes for drinking water and neutral liquids to max. 70°C

Standards:

- Designed according to EN 12842
- Standard flange drilling to EN1092-2 (ISO 7005-2), PN 10/16

Test/Approvals:

- Approved according to ACS-France



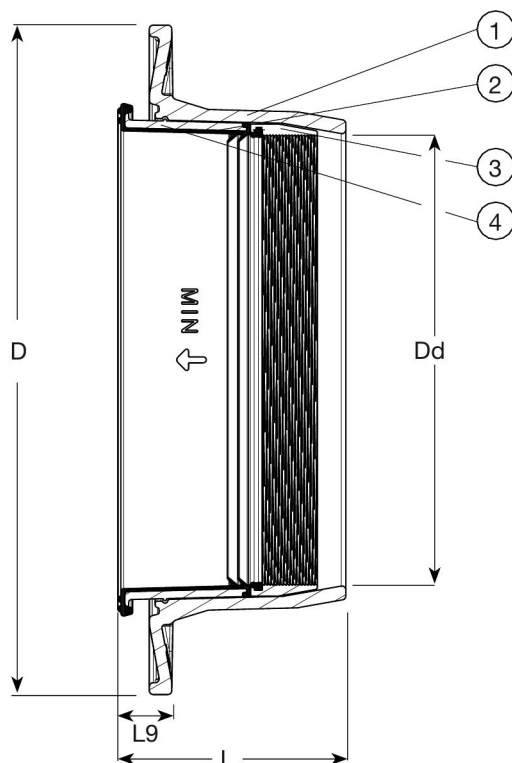
Features:

- Flexible positioning of the pipe with the large buffer zone clearly marked on the sealing
- Easy pipe chamfering allowing the pipe to be cut unevenly or out of angle, as long as it stays within the buffer zone
- Barrel-shaped rubber sealing allows for up to $\pm 3.5^\circ$ deflection of the pipe
- The pipe will not move inwards during installation which helps securing a tight connection
- The EPDM rubber sealing is approved for drinking water applications
- The rubber is resistant to water treatment chemicals and features an excellent compression set, meaning the ability to regain original shape
- The sealing is supported by a sleeve of polypropylene
- The wide tension ring combined with the special lip profile on the sealing ensure full tensile abilities on all PE and PVC pipes, even thin wall PVC pipes (Bi-PVC).
- A support bush must be used in PE pipes to avoid deformation of the pipe
- Flange of ductile iron is fusion bonded epoxy coating in compliance with DIN 3476 part 1 and EN 14901
- Flange and gasket are packed as a complete unit
- Design pressure 29 bar according to EN 12842. Working pressure max. 16 bar. Max. test pressure according to pipe standard.



Expect ... **AVR**

The designs, materials and specifications shown are subject to change without notice due to the continuous development of our product range.



Component list:

1. Flange	Ductile iron GJS-500-7 (GGG-50)	3. Tension ring	Stainless steel
2. Seal	EPDM rubber	4. Sleeve	PP

Components may be substituted with equivalent or higher class materials without prior notification.

Reference nos. and dimensions:

AVK ref. no.	DN mm	Dd mm	Flange drilling	D mm	L mm	L9 mm	Theoretical weight / kg
05-050-60-1600	50	63	PN10/16	165	97	27	1.9
05-063-60-1600	60	63	PN10/16	175	97	27	2.0
05-075-60-1600	65	75	PN10/16	185	97	27	2.2
05-090-60-1600	80	90	PN10/16	200	98	27	2.5
05-110-60-1600	100	110	PN10/16	220	99	27	3.0
05-125-60-1600	125	125	PN10/16	250	101	27	3.7
05-140-60-1600	125	140	PN10/16	250	103	27	3.9
05-160-60-1600	150	160	PN10/16	285	105	27	4.3
05-200-60-0600	200	200	PN10	340	107	27	6.3
05-200-60-1600	200	200	PN16	340	107	27	6.3
05-225-60-0600	200	225	PN10	340	115	27	7.0
05-225-60-1600	200	225	PN16	340	123	27	7.0
05-250-60-0600	250	250	PN10	395	115	27	8.0
05-250-60-1600	250	250	PN16	395	123	27	8.0
05-280-60-0600 ⁽¹⁾	250	280	PN10	395	123	31	8.0
05-280-60-1600 ⁽²⁾	250	280	PN16	395	131	31	8.0
05-315-60-0600 ⁽¹⁾	300	315	PN10	445	125	31	9.8
05-315-60-1600 ⁽²⁾	300	315	PN16	445	133	31	9.8

(1) Max. ±1.5° deflection. For Bi-PVC pipes a support bush is to be used
 (2) Max. ±1.5° deflection. Not suitable for Bi-PVC pipes