



## AVK KNIFE GATE VALVE, CTC

702/20-103

### Rising stem and handwheel, replaceable top packing gland

AVK lug/wafer knife gate valves are bi-directional with full and plane bore. The protected sealings and high quality materials bring about a great performance and a long service life. AVK knife gate valves are available with lever, non-rising stem and handwheel, rising stem and handwheel, pneumatic actuator, ISO top flange for actuator or complete with electric actuator.

#### Product description:

Knife gate valve with rising stem and handwheel for wastewater treatment 0°C to +80°C

#### Standards:

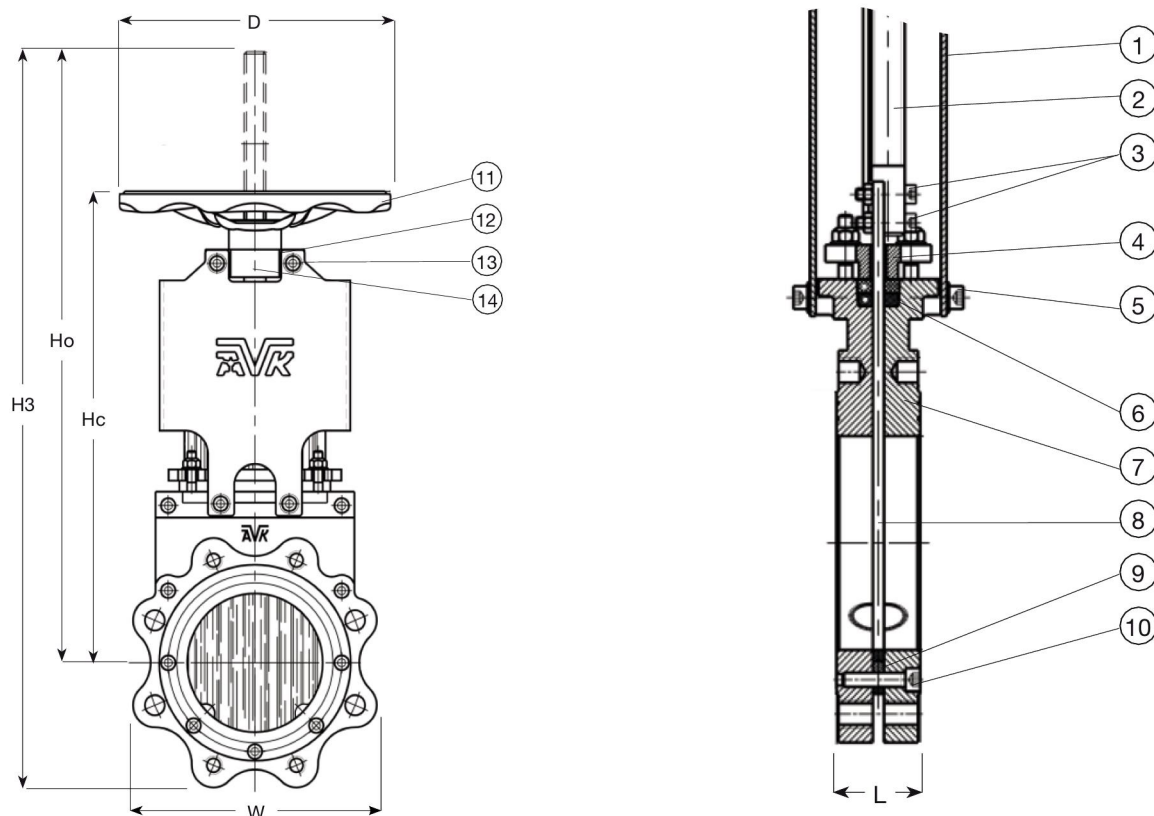
- Face-to-face dimension according to DIN/EN 558-1, series 20 (K1), up to and incl. DN 350
- Standard flange drilling to EN1092-2 (ISO 7005-2), PN 10/16

#### Features:

- Replaceable top packing gland enables sealing replacement without disassembly of the valve
- The valve is self cleaning as particles will be pushed off the gate when opening the valve. For extra protection of the packing gland a scraper is available as an optional extra.
- Bi-directional, can be installed independent of the flow direction
- Full bore with no reduction of the flow
- Plane bottom prevents sediment from being accumulated
- No cavity in the body and thus no risk of clogging
- U-shaped one-piece NBR sealing between the body parts makes up for tolerances in coating and casting. It is reinforced with a steel insert to protect it from being damaged during operation.
- Encaged stem with yokes prepared for mounting of micro switches and inductive sensors
- Stem and gate connection is secured with self-locking nuts
- Supports integrated in the body casting protect the gate from deflecting under pressure
- Body of ductile iron with 150 µ fusion bonded epoxy coating. Optionally of acid-resistant stainless steel or duplex.
- Gate, stem, bolts and nuts of acid-resistant stainless steel
- Washers under the bolts protect the coating
- Slim design and low weight
- Approved according to the 97/23/CE European Pressure Equipment Directive
- Approved according to the 94/9/94EC, ATEX Directive
- Available in larger dimensions
- Optionally in higher PN class



Expect ... **AVR**



**Component list:**

1. Plate	Carbon steel, epoxy coated	8. Gate	Stainless steel 316
2. Stem	Stainless steel 316	9. U-shaped seal	Steel / NBR
3. Bolt	Stainless steel A4	10. Bolt	Stainless steel A4
4. Top packing gland	Ductile iron GJS-400-15 (GGG-40)	11. Handwheel	Steel
5. Bolt	Stainless steel A4	12. Washer	Stainless steel A4
6. Packing	NBR + PTFE	13. Bolt	Stainless steel A4
7. Body	Ductile iron GJS-400-15 (GGG-40)	14. Bearing	Carbon steel, epoxy coated

Components may be substituted with equivalent or higher class materials without prior notification.

**Reference nos. and dimensions:**

AVK ref. no.	DN mm	Flange drilling	D mm	L mm	H3 mm	HC mm	HO mm	W mm	Test pressure bar	Working Pressure / bar	Theoretical weight / kg
702-050-20-134	50	PN10/16	175	43	424	292	359	130	15	10	9.7
702-065-20-134	65	PN10/16	175	46	471	317	399	143	15	10	10
702-080-20-134	80	PN10/16	225	46	536	361	444	183	15	10	11
702-100-20-134	100	PN10/16	225	52	601	396	499	202	15	10	15
702-125-20-134	125	PN10/16	225	56	675	432	560	229	15	10	21
702-150-20-134	150	PN10/16	225	56	809	523	674	267	15	10	32
702-200-20-034	200	PN10	300	60	989	623	824	326	15	10	42
702-250-20-034	250	PN10	300	68	1179	729	980	395	15	10	65
702-300-20-034	300	PN10	400	78	1386	858	1160	451	15	10	101
702-350-20-034	350	PN10	400	78	1560	951	1303	518	9	6	128
702-400-20-034	400	PN10	400	90	1723	1059	1461	576	9	6	161
702-450-20-034	450	PN10	500	90	1990	1264	1707	618	6	4	270
702-500-20-034	500	PN10	500	95	2139	1308	1816	698	6	4	282
702-600-20-034	600	PN10	500	105	2518	1497	2105	817	6	4	398