



## AVK SUPA LOCK™ 90° PUSH-IN FITTING, PN 16

107/31-003

For PE pipes, Supa Lock™ spigot end/push-in socket end

AVK Supa Lock™ is a patented service connection system consisting of valves, tapping saddles and fittings with an easy two-step assembly without threads or use of tools. Supa Lock™ features a corrosion protected push-in and quick-lock joint secured by a safety retainer which prevents demounting under pressure. The fitting has one Supa Lock™ spigot end and one push-in socket end, and can be rotated 360° once installed offering maximum flexibility.

### Product description:

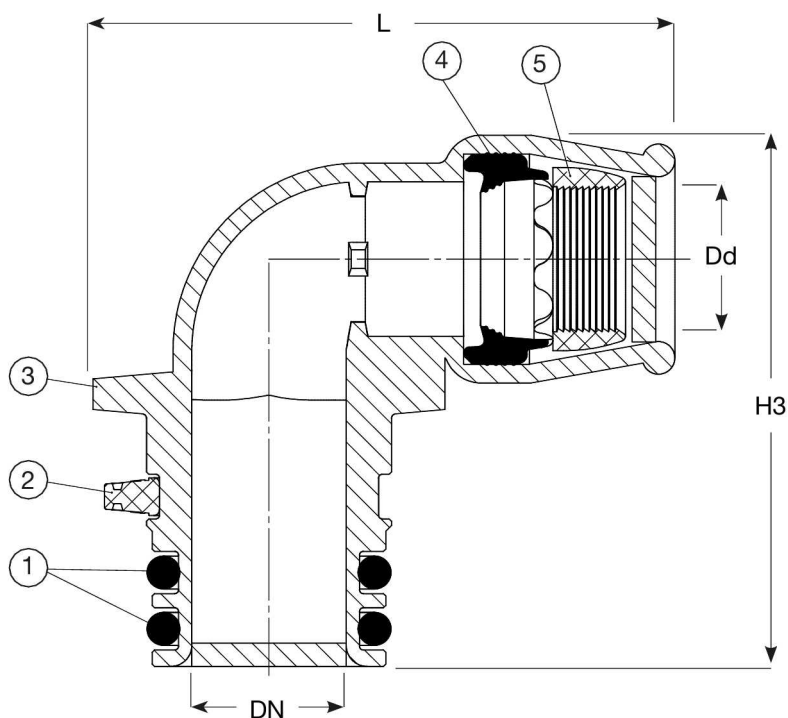
Supa Lock™ 90° fitting with push-in socket for PE pipes for water and neutral liquids to max. 70° C

### Features:

- Fully coated with epoxy according to DIN 30677-2, GSK approved
- Easy two-step assembly by pushing the Supa Lock™ spigot end into the Supa Lock™ socket end and clicking on the safety retainer
- The safety retainer is easy to mount and demount, and as extra safety the patented Supa Lock™ joint prevents demounting when the system is under pressure
- Can be rotated 360° once installed offering maximum flexibility
- The Supa Lock™ joint is sealed by two large O-rings of drinking water approved EPDM rubber
- The socket end is fitted with a hydraulic lip seal gasket of drinking water approved EPDM rubber and a POM tension ring providing tensile resistance



Expect ... **AVR**



**Component list:**

1. O-ring	EPDM rubber	4. Seal ring	EPDM rubber
2. Safety retainer	POM	5. Tension ring	POM
3. Body	Ductile iron GJS-500-7 (GGG-50)		

Components may be substituted with equivalent or higher class materials without prior notification.

**Reference nos. and dimensions:**

AVK ref. no.	DN	Dd	L	H3	Theoretical weight / kg
	mm	mm	mm	mm	
107-032-31-32464	32	32	113	124	1.0
107-040-31-32464	32	40	134	123	1.1
107-050-31-32464	32	50	131	162	1.4
107-063-31-32464	32	63	143	190	2.0