



AVK SUPA LOCK™ SERVICE CONNECTION ANGLE VALVE, DI, PN16

103/31-003

Supa Lock™ spigot end/push-in socket end, DN32

AVK Supa Lock™ is a patented service connection system consisting of valves, tapping saddles and fittings with a fast two-step assembly without threads or use of tools. Supa Lock™ features a corrosion protected push-in and quick-lock joint secured by a safety retainer which prevents demounting under pressure. The Supa Lock™ service connection angle valve has one Supa Lock™ spigot end and one push-in socket end, and is of the renowned AVK design with triple safety stem sealing and vulcanized wedge.

Product description:

Supa Lock™ service connection angle valve with push-in socket end. For drinking water and neutral liquids to max. 70°C

Standards:

- Designed according to EN 1074 part 1 & 2, Designed according to EN 1171

Test/Approvals:

- Hydraulic test according to EN 1074-1 and 2 / EN 12266
- Seat: 1.1 x PN (in bar), Body: 1.5 x PN (in bar). Operation torque test

Features:

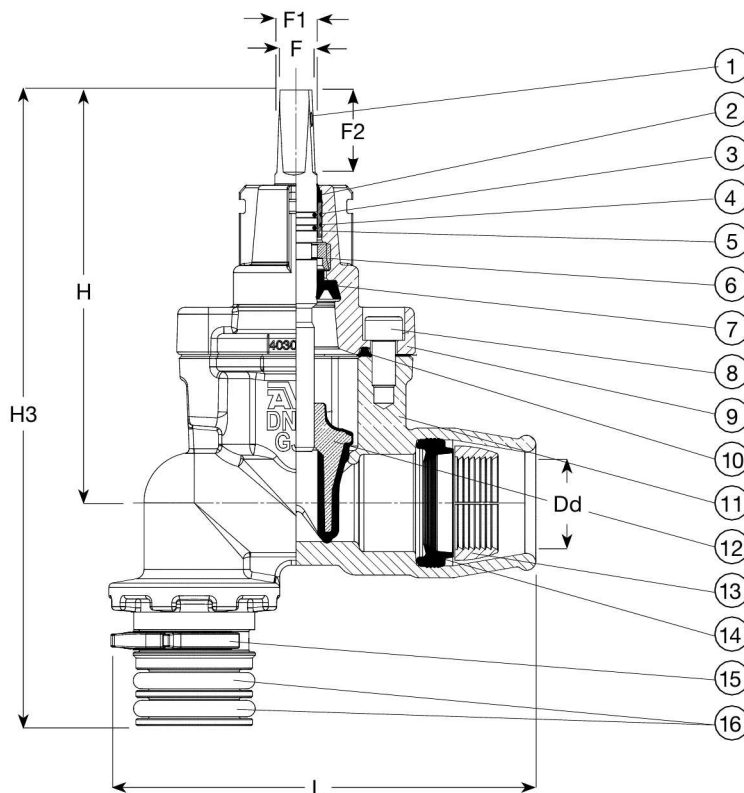
- Wedge of low-lead brass CW626N vulcanized with drinking water approved EPDM rubber and shaped with guides and a special rubber profile ensuring low closing torques
- Stainless steel stem with rolled threads providing high strength
- Stem sealing with an NBR wiper ring, a polyamide bearing with four NBR O-rings and an EPDM rubber manchette
- EPDM bonnet gasket fixed in a recess
- Countersunk and sealed stainless steel bonnet bolts encircled by the bonnet gasket
- Fully coated with epoxy according to DIN 30677-2, GSK approved
- Easy two-step assembly by pushing the Supa Lock™ spigot end into the Supa Lock™ socket end and clicking on the safety retainer
- The safety retainer is easy to mount and demount, and as extra safety the patented Supa Lock™ joint prevents demounting when the system is under pressure
- The Supa Lock™ joint is sealed by two large O-rings of drinking water approved EPDM rubber
- Push-in socket fitted with EPDM rubber seal ring and tensile ring of POM

Accessories:

Handwheel, stem cap, extension spindle and street cover. Supa Lock™ tapping saddles and fittings.



Expect ... **AVR**



Component list:

1. Stem	Stainless steel 1.4104 (430F)	9. Bonnet	Ductile iron GJS-500-7 (GGG-50)
2. Wiper ring	NBR rubber	10. Bonnet gasket	EPDM rubber
3. O-ring	NBR rubber	11. Body	Ductile iron GJS-500-7 (GGG-50)
4. O-ring	NBR rubber	12. Wedge	Brass, DZR CW626N with EPDM
5. Bearing	Polyamide	13. Tensile ring	POM
6. Thrust collar	Brass, DZR CW602N	14. Seal ring	EPDM rubber
7. Manchette	EPDM rubber	15. Safety retainer	POM
8. Bonnet bolt	Stainless steel A2, sealed with hot melt	16. O-ring	EPDM rubber

Components may be substituted with equivalent or higher class materials without prior notification.

Reference nos. and dimensions:

AVK ref. no.	DN	Dd	Product	L	H	H3	F	F1	F2	Theoretical weight / kg
	mm	mm	PN Class	mm	mm	mm	mm	mm	mm	
103-032-31-40-0464	32	32	PN16	172	176	267	12	15	35	3.1
103-032-31-41-0464	32	40	PN16	183	176	271	12	15	35	3.3