



## AVK SUPA LOCK™ SERVICE CONNECTION ANGLE VALVE, DI, PN16

103/02-003

Supa Lock™ spigot end/Supa Lock™ socket end, DN32

AVK Supa Lock™ is a patented service connection system consisting of valves, tapping saddles and fittings with a fast two-step assembly without threads or use of tools. Supa Lock™ features a corrosion protected push-in and quick-lock joint secured by a safety retainer which prevents demounting under pressure. The Supa Lock™ service connection angle valve has one Supa Lock™ spigot end and one Supa Lock™ socket end, and is of the renowned AVK design with triple safety stem sealing and vulcanized wedge.

### Product description:

Supa Lock™ service connection angle valve with Supa Lock™ socket end. For drinking water and neutral liquids to max. 70°C

### Standards:

- Designed according to EN 1074 part 1 & 2, Designed according to EN 1171

### Test/Approvals:

- Hydraulic test according to EN 1074-1 and 2 / EN 12266
- Seat: 1.1 x PN (in bar), Body: 1.5 x PN (in bar). Operation torque test

### Features:

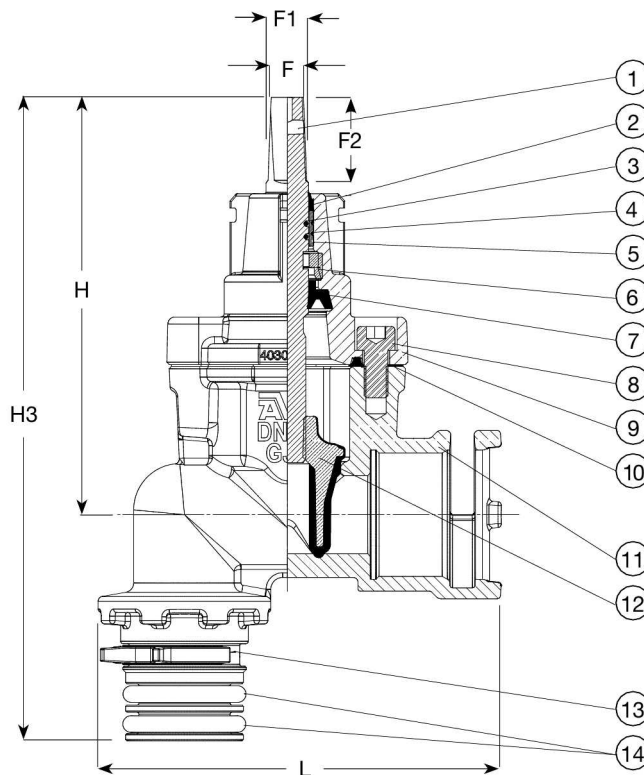
- Wedge of low-lead brass CW626N vulcanized with drinking water approved EPDM rubber and shaped with guides and a special rubber profile ensuring low closing torques
- Stainless steel stem with rolled threads providing high strength
- Stem sealing with an NBR wiper ring, a polyamide bearing with four NBR O-rings and an EPDM rubber manchette
- EPDM bonnet gasket fixed in a recess
- Countersunk and sealed stainless steel bonnet bolts encircled by the bonnet gasket
- Fully coated with epoxy according to DIN 30677-2, GSK approved
- Easy two-step assembly by pushing the Supa Lock™ spigot end into the Supa Lock™ socket end and clicking on the safety retainer
- The safety retainer is easy to mount and demount, and as extra safety the patented Supa Lock™ joint prevents demounting when the system is under pressure
- The Supa Lock™ joint is sealed by two large O-rings of drinking water approved EPDM rubber

### Accessories:

Handwheel, stem cap, extension spindle and street cover. Supa Lock™ tapping saddles and fittings.



Expect ... **AVR**



**Component list:**

1. Stem	Stainless steel 1.4104 (430F)	8. Bonnet bolt	Stainless steel A2, sealed with hot melt
2. Wiper ring	NBR rubber	9. Bonnet	Ductile iron GJS-500-7 (GGG-50)
3. O-ring	NBR rubber	10. Bonnet gasket	EPDM rubber
4. O-ring	NBR rubber	11. Body	Ductile iron GJS-500-7 (GGG-50)
5. Bearing	Polyamide	12. Wedge	Brass, DZR CW626N with EPDM
6. Thrust collar	Brass, DZR CW602N	13. Safety retainer	POM
7. Manchette	EPDM rubber	14. O-ring	EPDM rubber

Components may be substituted with equivalent or higher class materials without prior notification.

**Reference nos. and dimensions:**

AVK ref. no.	DN	Product	H	H3	L	F	F1	F2	Theoretical weight / kg
	mm	PN Class	mm	mm	mm	mm	mm	mm	
103-032-02-00-0464	32	PN16	176	271	171	12	15	35	3.2